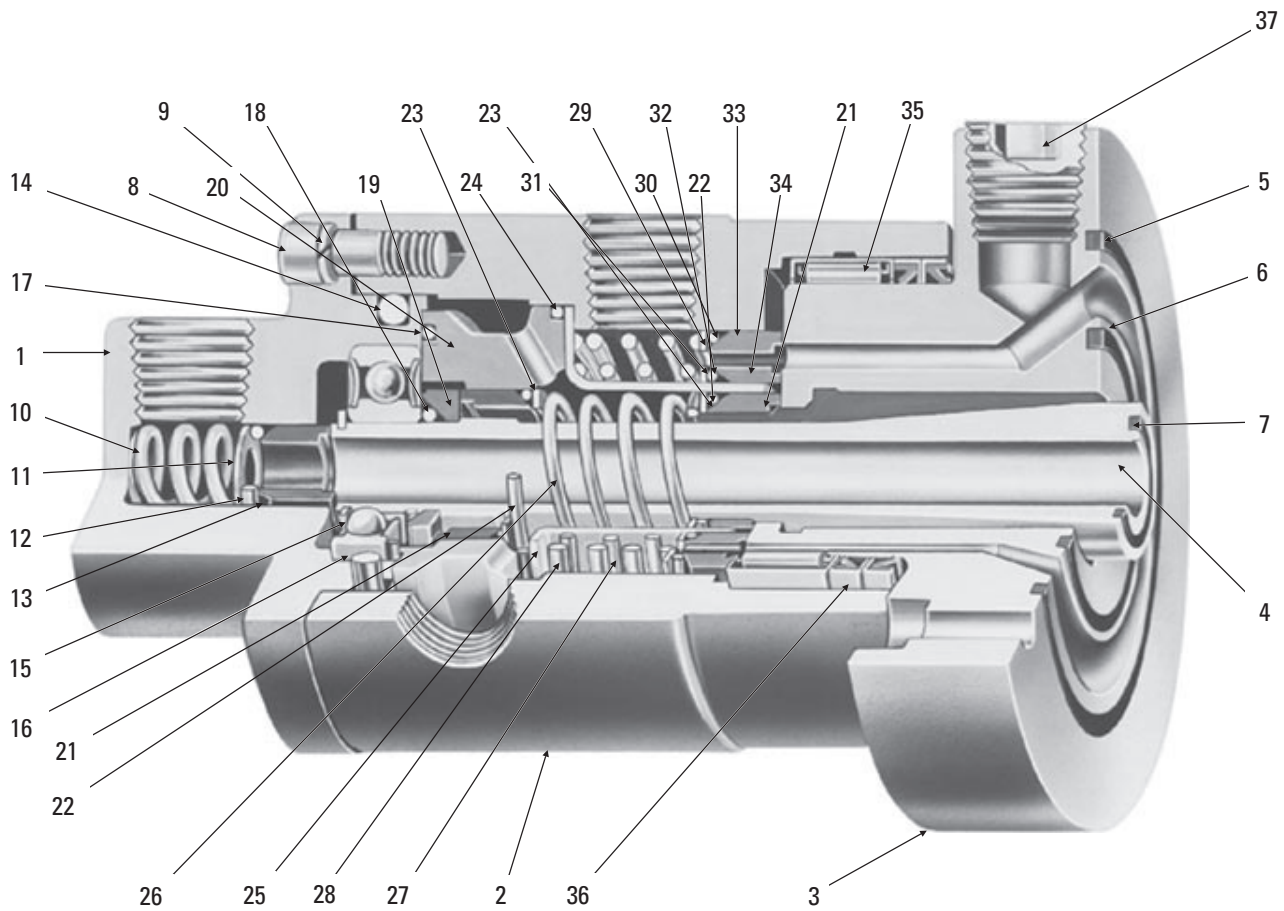


Airflex® BTA Triple Passage Rotorseal

Section J

Component Part Descriptions



Item	Description
1	Rear Housing
2	Front Housing
3&4	Shaft Assembly
5*	Outer Grommet
6*	Intermediate Grommet
7*	Inner Grommet
8	Socket Head Cap Screw
9	Lockwasher
10	Rear Seal Spring
11*	Rear Seal Washer
12*	Rear Seal "O" Ring
13*	Rear Carbon Seal
14	Housing "O" Ring
15	Snap Ring
16	Ball Bearing
17*	Seal Support Rear "O" Ring
18*	Seal Ring "O" Ring
19	Seal Ring
20	Seal Support

Item	Description
21*	Inner Carbon Seal
22*	Inner Carbon Seal "O" Ring
23*	Inner Seal Washer
24*	Seal Support Front "O" Ring
25	Sleeve
26*	Inner Spring
27*	Intermediate Spring
28*	Outer Spring
29*	Outer Seal Washer
30*	Outer Carbon Seal "O" Ring
31*	Intermediate Seal Washer
32*	Intermediate Carbon Seal "O" Ring
33*	Outer Carbon Seal
34*	Intermediate Carbon Seal
35	Needle Bearing
36	Shaft Seal
37	Pipe Plug

* Seal Replacement Kit (includes parts marked *)