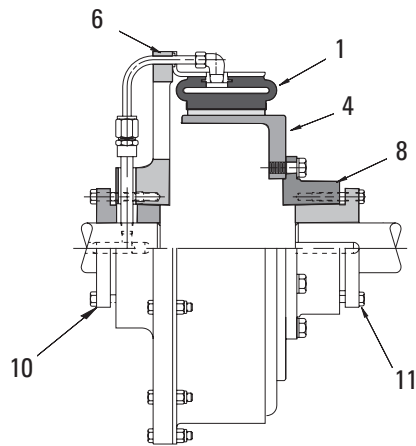


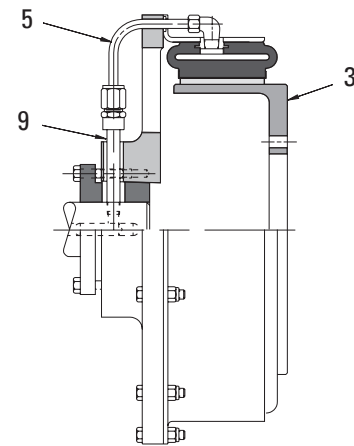
Airflex® CB Clutch and Brake Applications

Section B

Forms 204, 205, 206, & 208 — Tapered Bushing Arrangements —
Component Part Numbers — Sizes 4 to 14



PCB - 205 Arrangement



PCB - 204 Arrangement

Size	1	2	3	4	5
	Clutch Element	Brake Element	Drum w/thru holes	Drum w/tapped holes	Air Tube
4CB200	142840JD	142840JA			202735
6CB200	142095JC	142095JA	407043	407044	201641
8CB250	142096JC	142096JA	407045	407046	201640
10CB300	142197JC	142197JA	407047	407048	201598
12CB350	142098JC	142098JA	407049	407050	201654
14CB400	142087JC	142087JA	407051	407052	201605

Size	Shaft Diameter in	6	7	8	9
		Spider	Integral Drum	Drum Hub	Pipe Nipple
4CB200	0.875-1.125	407855	407854		70 x 185
	1.188-1.438	407855	407854		70 x 5
6CB200	1.250-2.000	405307	405325	405326	70 x 135
8CB250	1.250-2.000	405308	405341	405326	70 x 19
10CB300	1.750-2.500	405309	405342	405331	70 x 121
	2.563-3.125	405312	405343	405334	70 x 19
12CB350	1.750-2.500	405310	405344	405331	70 x 212
	2.563-3.125	405313	405345	405334	70 x 212
14CB400	1.750-2.500	405311	405346	405323	70 x 145
	2.563-3.125	405314	405347	405324	70 x 19

4CB200

Shaft Diameter in	10 Bushing	11 Bushing
0.875	304038-1	304037-7
0.938	304038-2	304037-8
1.000	304038-3	304037-9
1.063	304038-4	304037-10
1.125	304038-5	304037-11
1.188	304038-6	304037-12
1.250	304038-7	304037-13
1.313	304038-8	304037-14
1.375	304038-9	304037-15
1.438	304038-10	304037-16

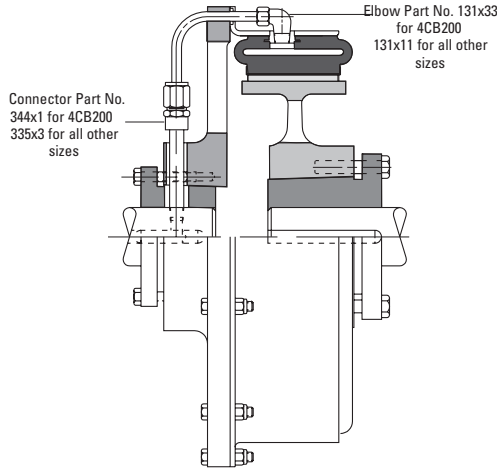
6CB200 & 8CB250

Shaft Diameter in	10 Bushing	11 Bushing
1.250	304040-1	304039-9
1.313	304040-2	304039-10
1.375	304040-3	304039-11
1.438	304040-4	304039-12
1.500	304040-5	304039-13
1.563	304040-6	304039-14
1.625	304040-7	304039-15
1.688	304040-8	304039-16
1.750	304040-9	304039-17
1.813	304040-10	304039-18

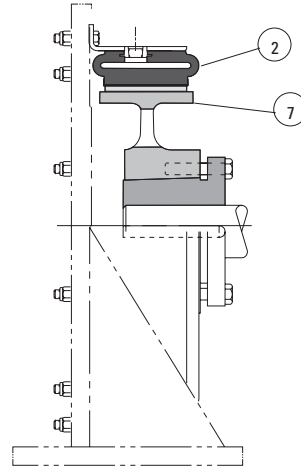
Airflex® CB Clutch and Brake Applications

Section B

Forms 204, 205, 206, & 208 — Tapered Bushing Arrangements —
Component Part Numbers — Sizes 4 to 14



PCB - 206 Arrangement



PCB - 208 Arrangement

10CB300, 12CB350, 14CB400

Shaft Diameter in	10 Bushing	11 Bushing
1.750	304042-1	304041-11
1.813	304042-2	304041-12
1.875	304042-3	304041-13
1.938	304042-4	304041-14
2.000	304042-5	304041-15
2.063	304042-6	304041-16
2.125	304042-7	304041-17
2.188	304042-8	304041-18
2.250	304042-9	304041-19
2.313	304042-10	304041-20
2.375	304042-11	304041-21
2.438	304042-12	304041-22
2.500	304042-13	304041-23

10CB300, 12CB350, 14CB400

Shaft Diameter in	10 Bushing	11 Bushing
2.563	304044-1	304043-12
2.625	304044-2	304043-13
2.688	304044-3	304043-14
2.750	304044-4	304043-15
2.813	304044-5	304043-16
2.875	304044-6	304043-17
2.938	304044-7	304043-18
3.000	304044-8	304043-19
3.063	304044-9	304043-20
3.125	304044-10	304043-21

Size	1 Element		4 Drum		6 Spider		7 Integral Drum		8 Drum Hub		10 or 11 Bushing	
	Weight lb	Wk ² lb · ft ²	Weight lb	Wk ² lb · ft ²	Weight lb	Wk ² lb · ft ²	Weight lb	Wk ² lb · ft ²	Weight lb	Wk ² lb · ft ²	Weight lb	Wk ² lb · ft ²
4CB200	2.5	0.2	4.2	0.2	3.3	0.1					1.6	.01
6CB200	7	1	5.5	0.3	10	0.9	9	0.3	6	0.2	3.5	0.1
8CB250	9	2	12.5	1.1	16	2	14	1	6	0.2	4.4	0.1
10CB300	19	6	19	2.7	41	5	25	2.6	16	1	16	0.5
12CB350	26	11	30	5.9	44	10	39	5.8	16	1	16	0.5
14CB400	31	17	38	10.5	41	14	48	11.4	23	2	16	0.5

Notes:

- ❶ Dynamic torque shown, static torque approximately 25% greater. Torque in each application is dependent upon air pressure and speed.
- ❷ Tolerance +0.003/-0.000 in.
- ❸ American National Pipe Thread

- ❹ AA2 Rotorseal for 4CB200. B3 Rotorseal for all other sizes. Refer to Section for mounting and dimensional information.
- ❺ For inch series shafting.

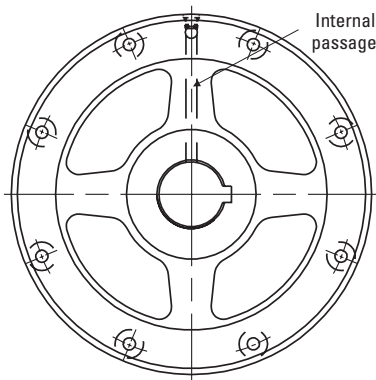
Airflex® CB Spider Piping and Configuration

Section B

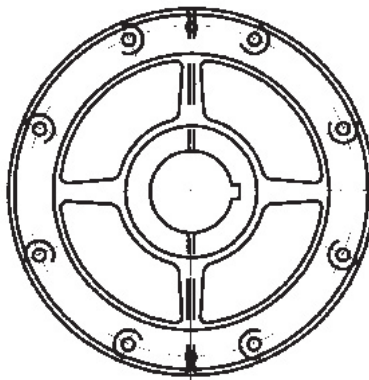
Form CB 417 — Shaft to Clutch Element piping

Element Sizes 6 to 14

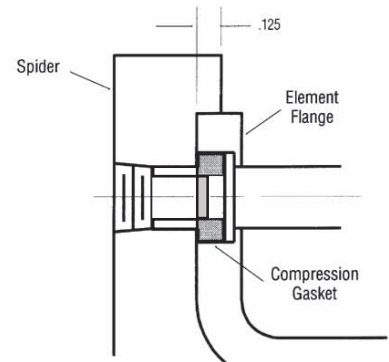
Spiders for these sizes have internal air passages in the spider spokes.



Single Connection

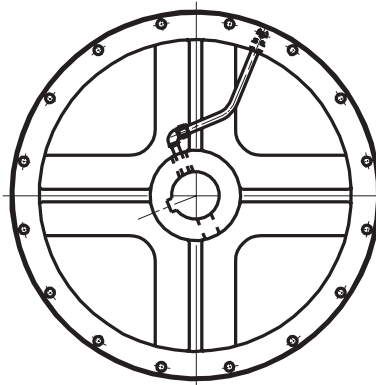


Two Connections

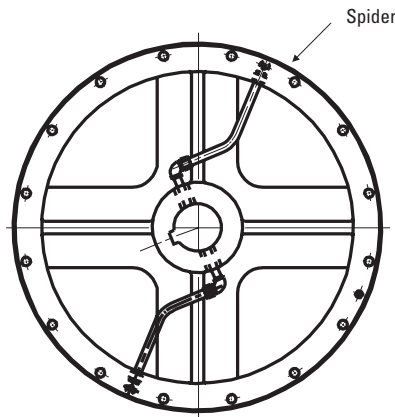


Element Sizes 16 to 45

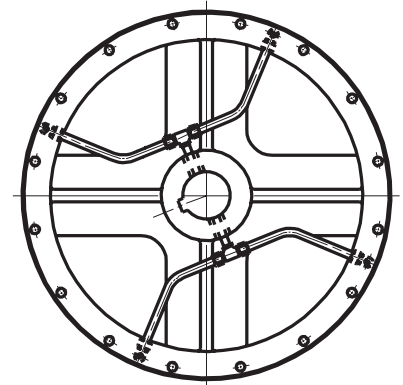
External piping versus number of connections



Single Connection

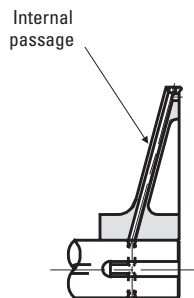


Two Connections

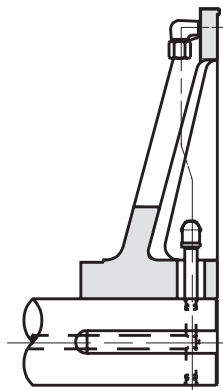


Four Connections

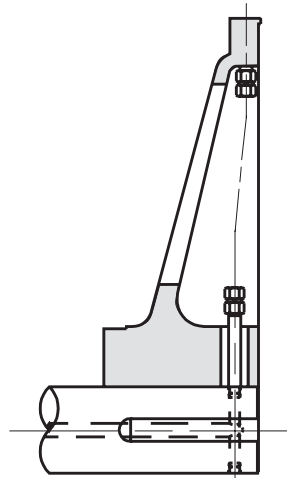
Spider Configuration versus Element size



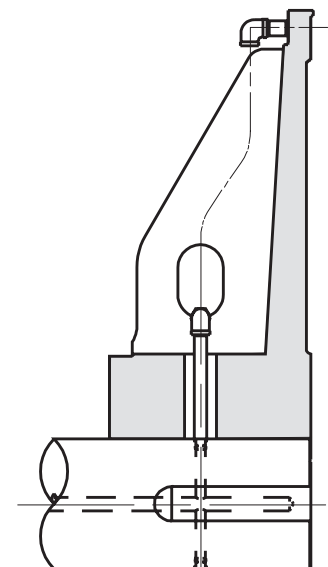
Sizes
6 thru 14



Sizes
16 thru 28



Sizes
30 thru 40



Size
45