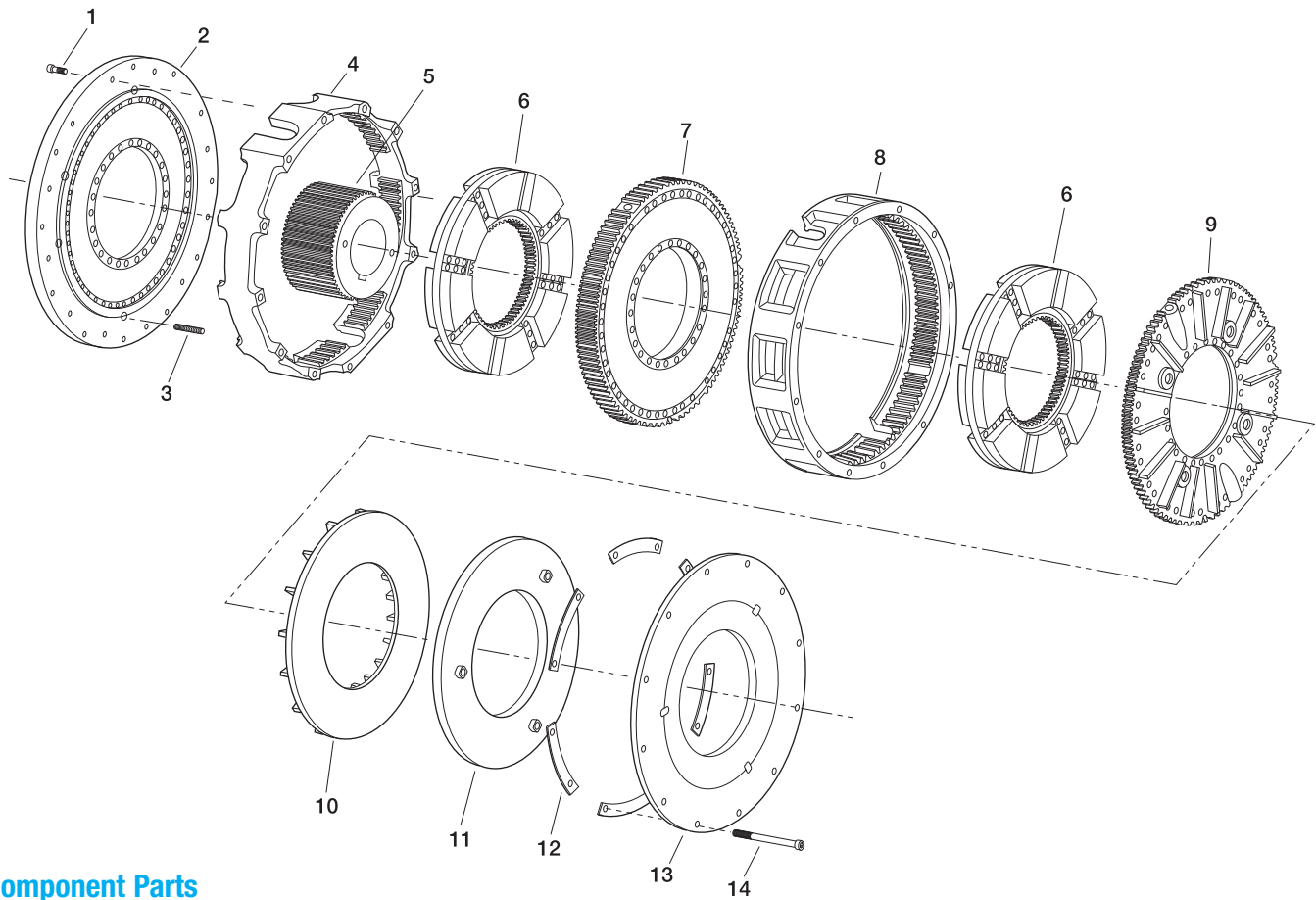


Tension Brakes/Very High Heat Capacity

Kopper Kool Brakes

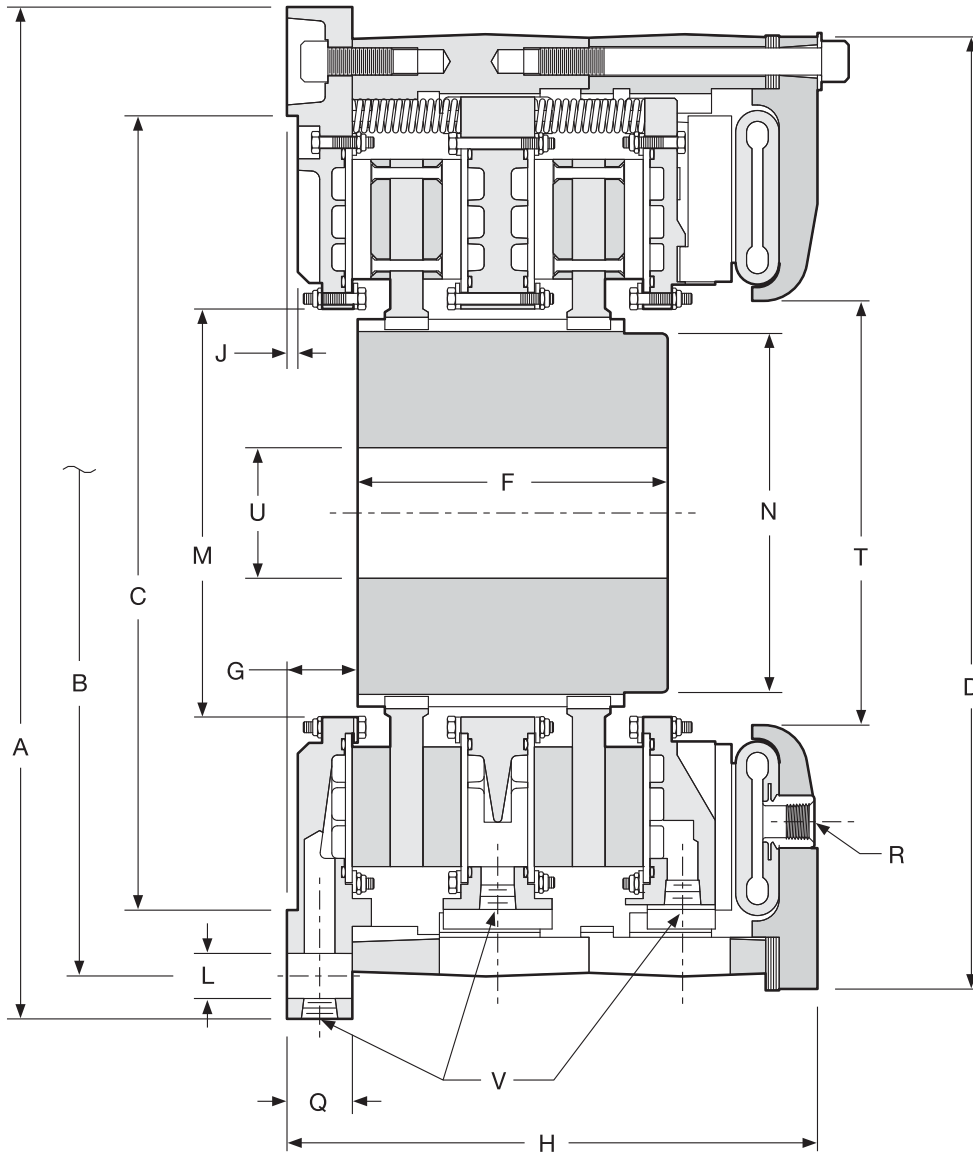


Component Parts

1. Socket Head Capscrews
2. Backplate Water Jacket Assembly
3. Release Springs
4. Ring (Backplate End)
5. Hub
6. Drive Plate Assembly
7. Center Water Jacket Assembly
8. Ring (Airtube End)
9. Floating Water Jacket Assembly
10. Pressure Plate
11. Airtube
12. Segmented Shims
13. Airtube Holding Plate
14. Socket Head Capscrews

Tension Brakes/High Heat Capacity

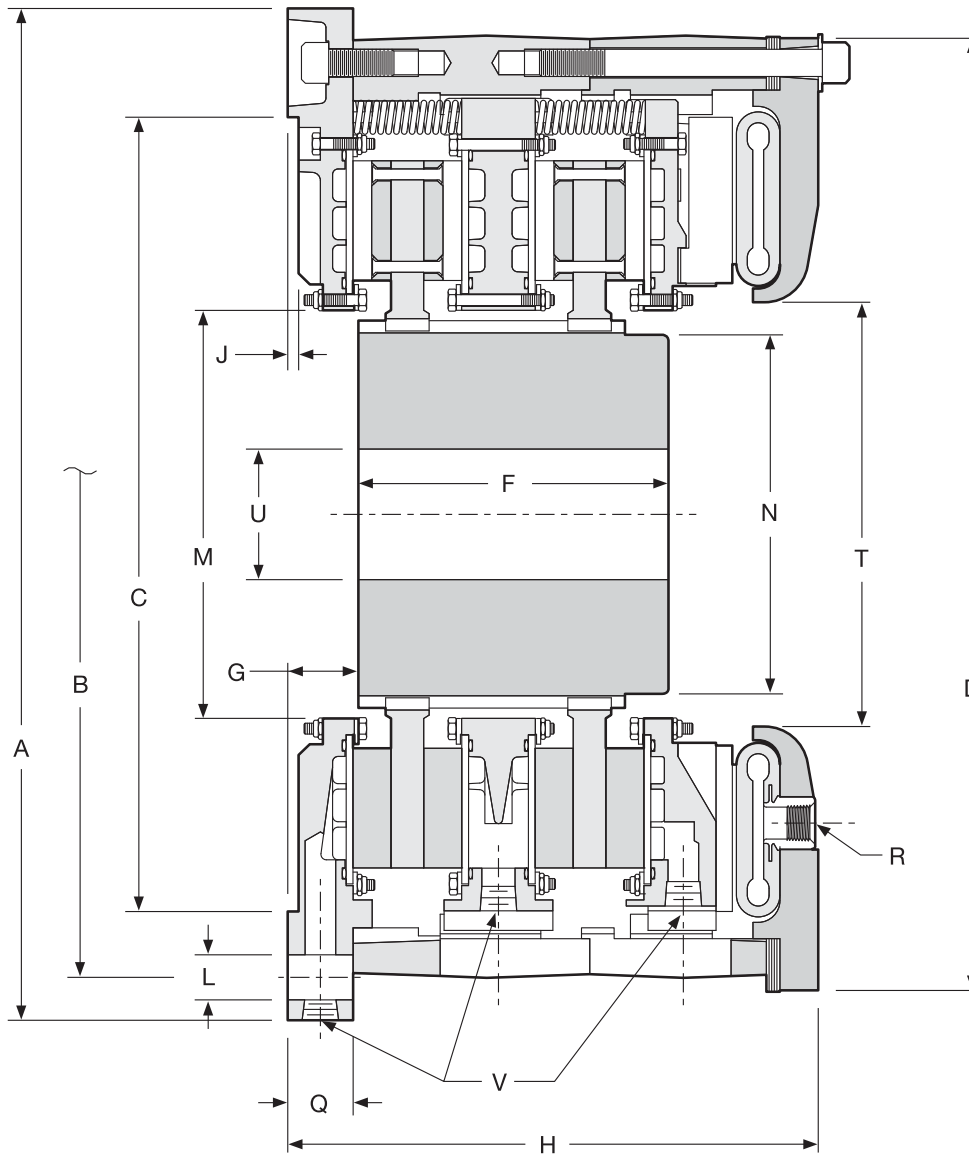
Kopper Kool Brakes



For mounting hole pattern, see following pages.
For sizes 19 and 25 see page 88.

Tension Brakes/High Heat Capacity

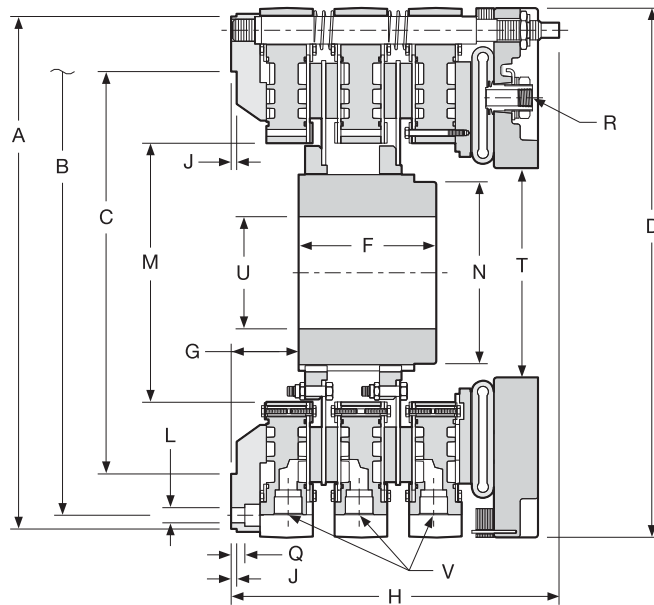
Kopper Kool Brakes



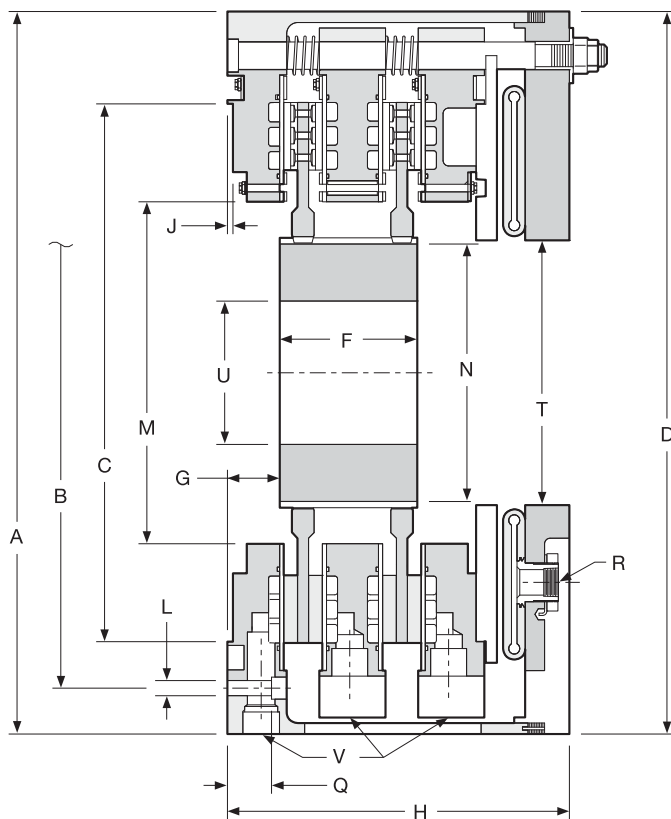
For mounting hole pattern, see following pages.
For sizes 19 and 25 see page 88.

Tension Brakes/High Heat Capacity

Kopper Kool Brakes



Size 19



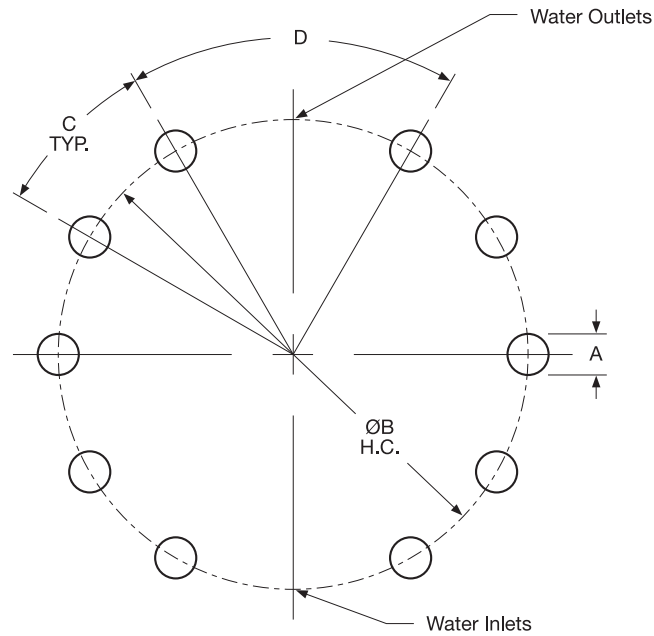
Size 25

For mounting hole pattern, see following pages.

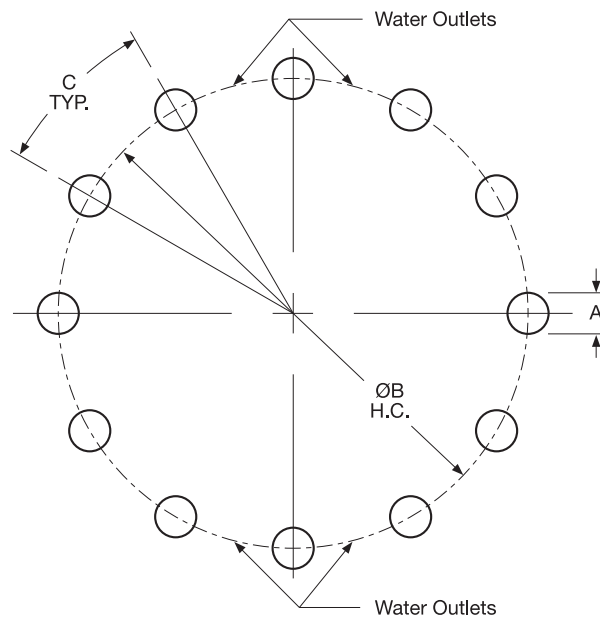
Tension Brakes/High Heat Capacity

Kopper Kool Brakes

Mounting Hole Pattern



KKB Brakes



Sizes 19 & 25