

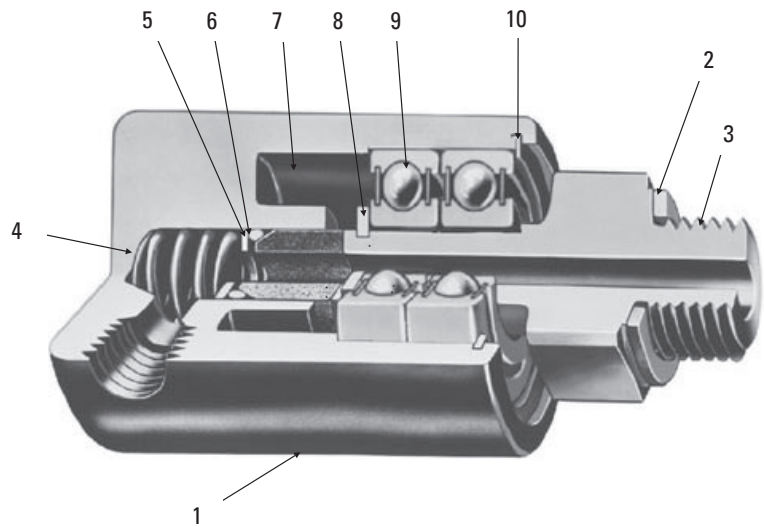
Airflex® Single Passage Rotorseals

Section J

Component Part Descriptions

Types AA2, B3 and C2

Item	Description
1	Housing
2	Copper Gasket
3	Shaft
4*	Spring
5*	Spring Stop
6*	"O" Ring
7*	Carbon Seal
8	Snap Ring (Internal)
9	Bearing
10	Snap Ring (External)
*	Replacement Seal Kit



Type RH

Item	Description
1	Housing
2*	Can Lip Seal
3*	Spirolox Retaining Ring
4*	"O" Ring
5	Shaft
6	Ball Bearings
7	Bearing Spacer
8	Cover
*9	Grommet
*	Replacement Seal Kit

