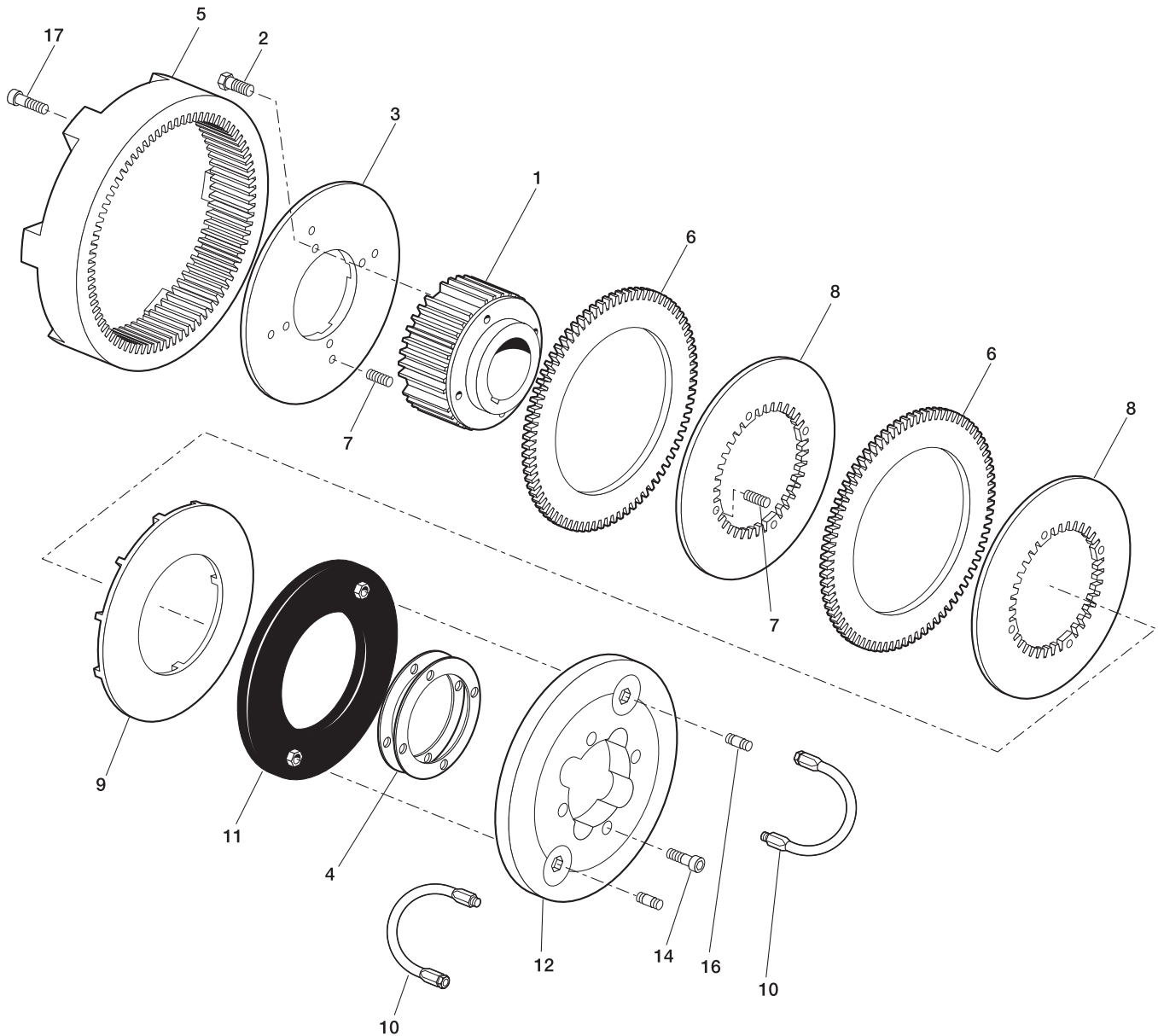


Standard Vent Clutches

Coupling and Grinding Mill Clutch Selection

Component Parts



- | | |
|-------------------|----------------------------------|
| 1. Hub | 9. Pressure Plate |
| 2. Hex Head Bolt | 10. Hose Assembly |
| 3. Backplate | 11. Air Tube |
| 4. Shim | 12. Air Tube Holding Plate |
| 5. Driving Ring | 14. Socket Head Capscrew |
| 6. Friction Disc | 16. Elbow |
| 7. Release Spring | 17. Bolt (Furnished by customer) |
| 8. Center Plate | |

