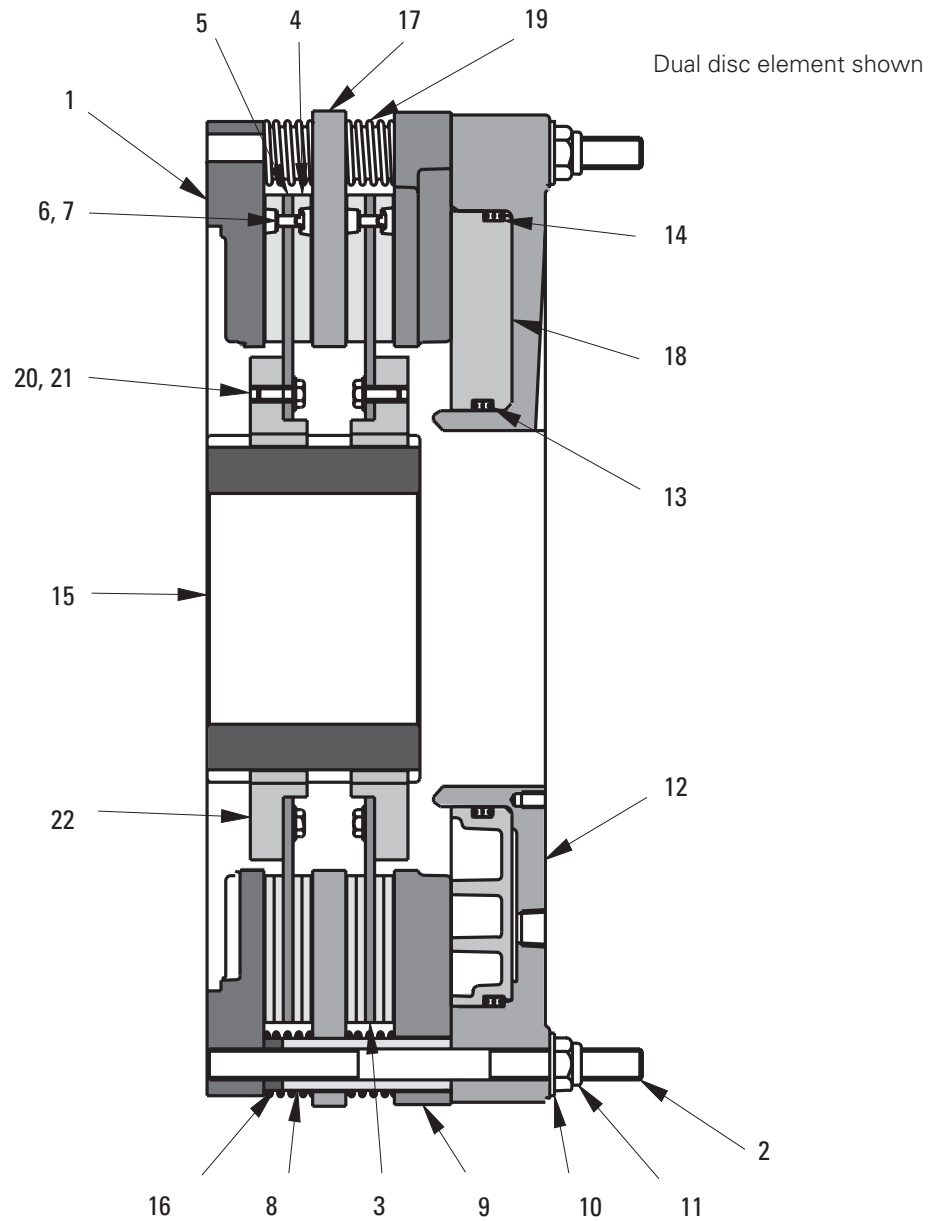


Airflex® DC Component Parts

Section E



Item Number	Description
1	Mounting Flange
2	Stud
3	Friction Disc Sub-Assembly
4	Friction Disc
5	Friction Disc Core
6	Rivet
7	Washer
8	Clamp Tube
9	Pressure Plate
10	Flat Washer
11	Locknut

Item Number	Description
12	Cylinder
13	Inner Seal
14	Outer Seal
15	Gear
16	Wear Spacer
17	Reaction Plate
18	Piston
19	Release Spring
20	Flat Washer
21	Hex Head Screw
22	Ring Gear